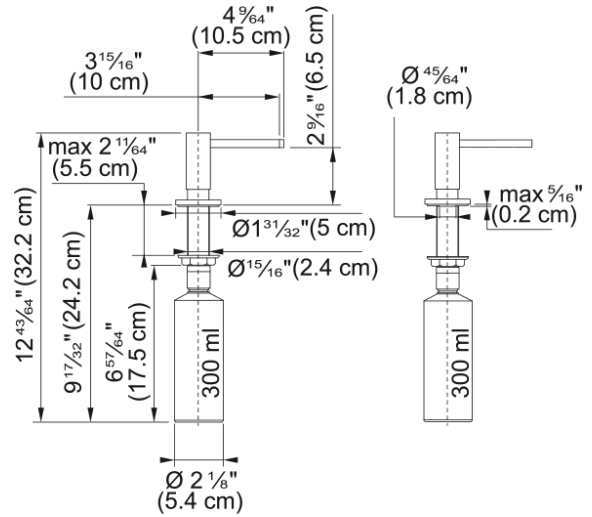


Active Plus Soap Dispenser Chrome | 119.0547.902



Technical Data

Product Information

Type of material	Brass
Color	Chrome
Accessory part sub	Soap dispenser

Product Identification

Product family	None
Model range	Active

Features